

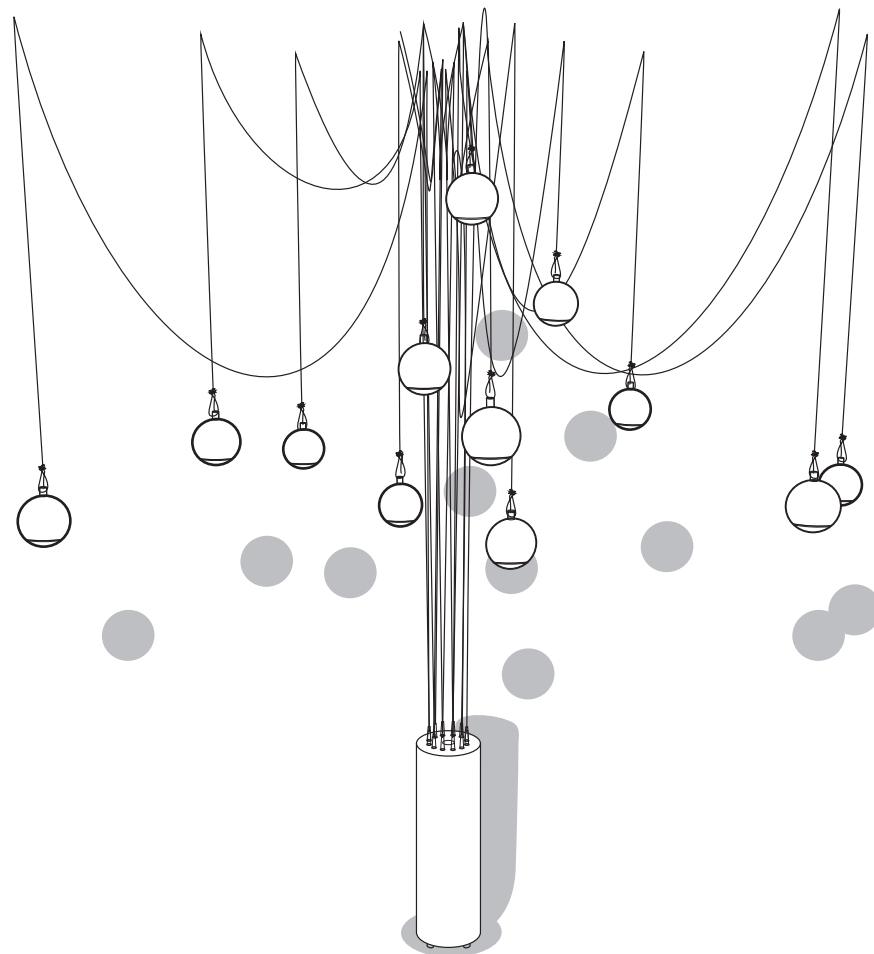


MAISON FONDÉE EN 1938

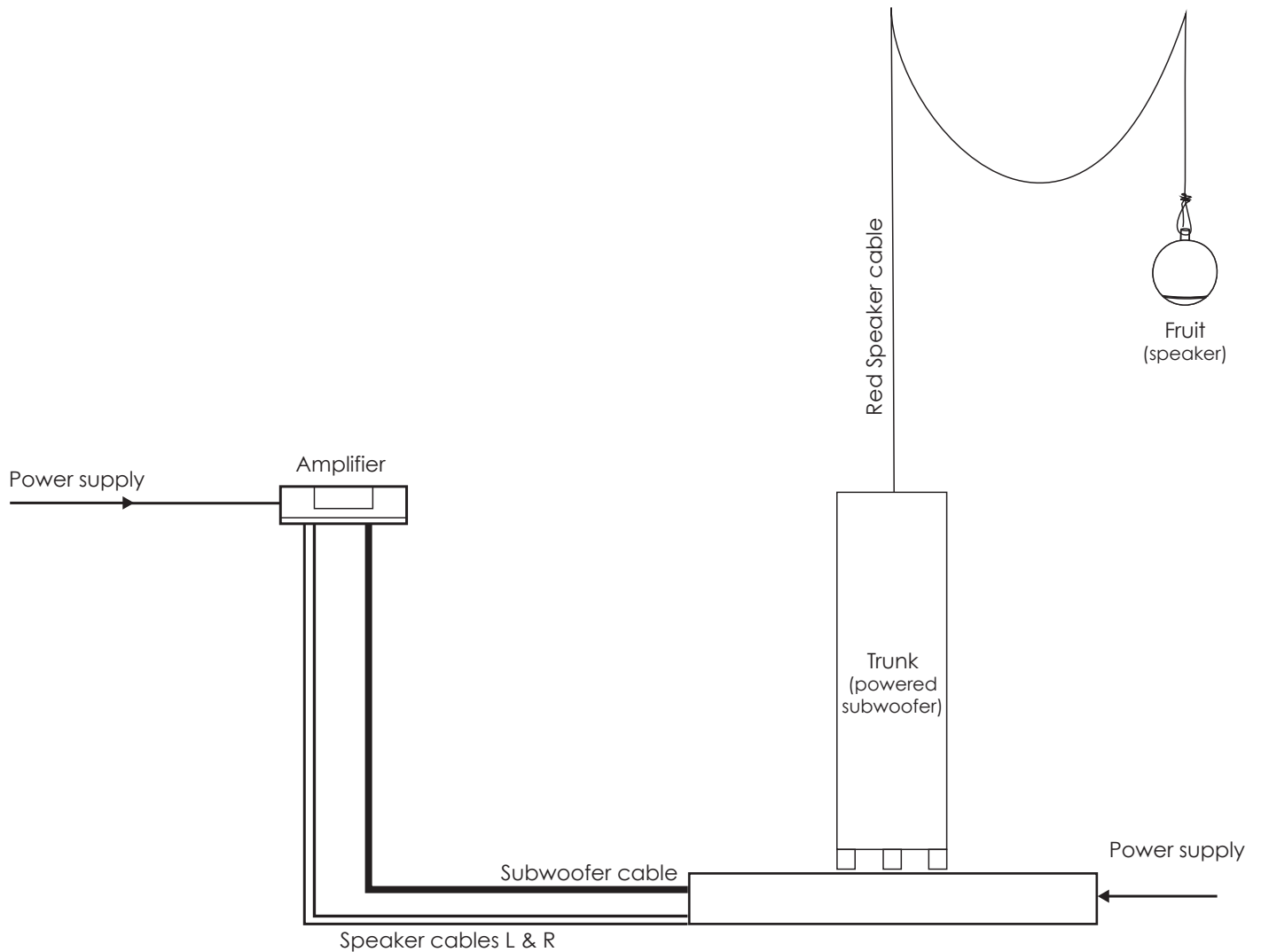
elipson® | Sound Tree

**Originated by the work of Maurizio Galante, Tal Lacman and Jean-Yves le Porcher,
Elipson is proud to bring you this art and sound product.**

Great care should be taken for the installation of the Elipson Sound tree.
Please read carefully this guide.
Installation should be done by qualified personnel familiar with audio/video product.



SETUP OVERVIEW

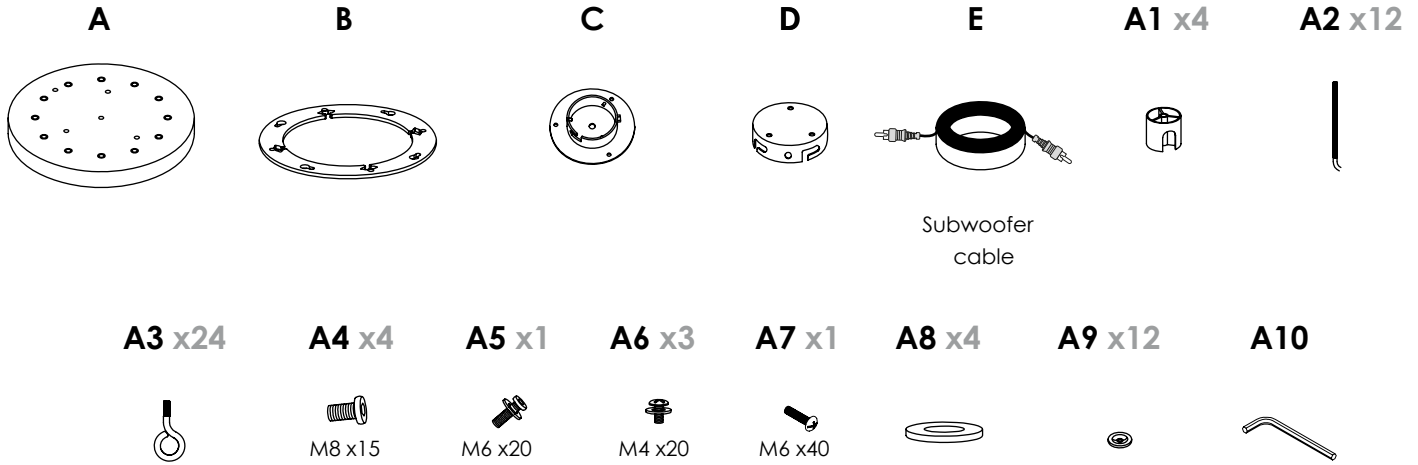


You need to plan the following :

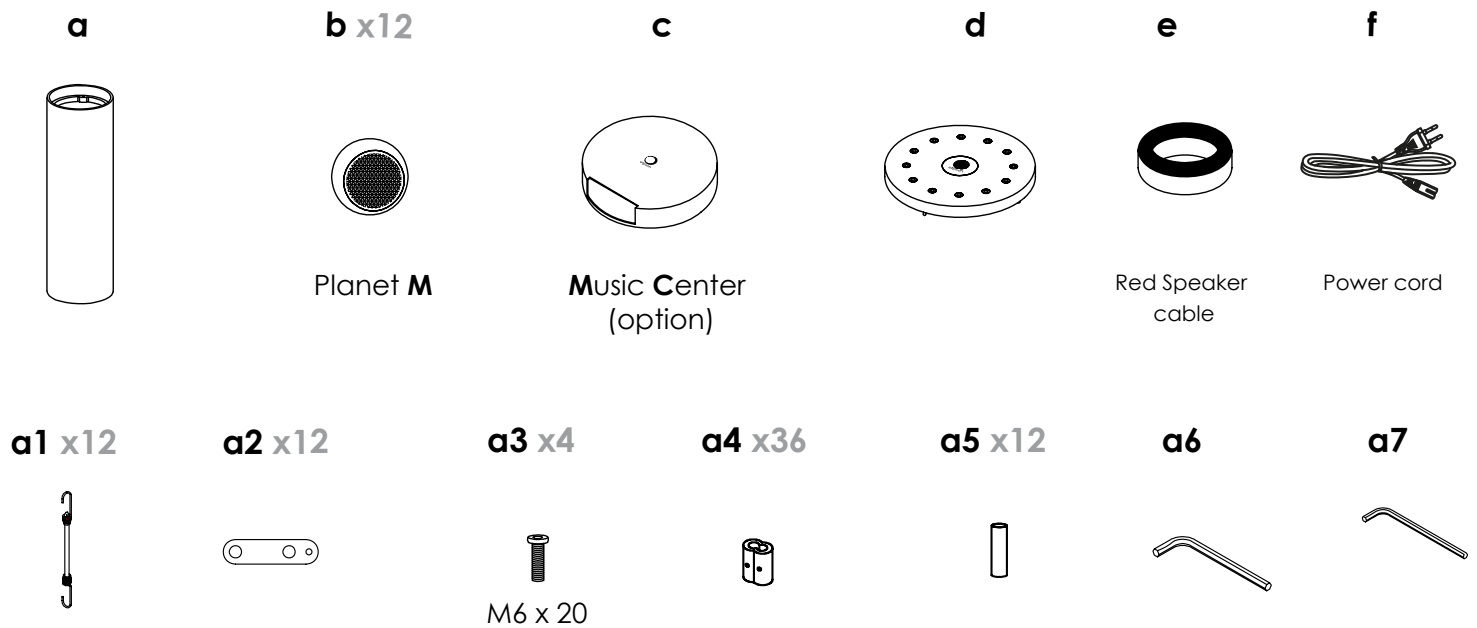
- Where are the speakers (we call them "the fruit") going to be positioned ?
- Where is the subwoofer (we call it the "trunk") going to be positioned ?
- How will you bring power supply to the amplifier and trunk ?
- How will the three cable (left speaker and right speaker cable, subwoofer cable) be positioned between amplifier and subwoofer ?

PARTS LISTING

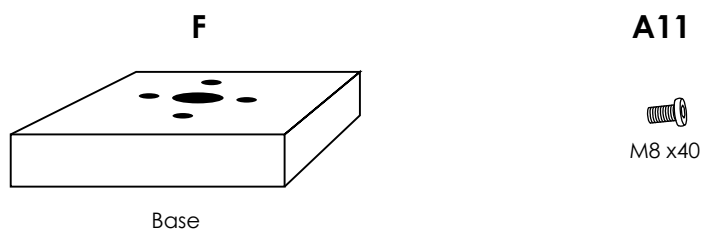
Installation Pack



Main Pack 1+2



Base Pack

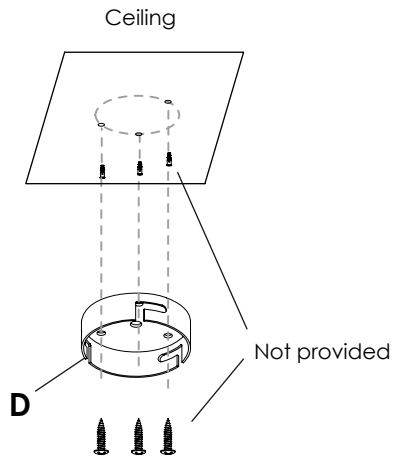


INSTALLATION GUIDE

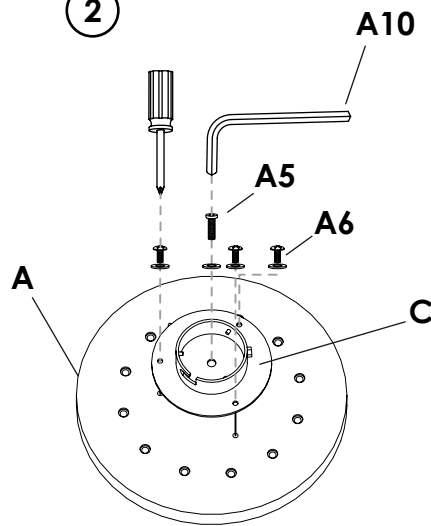
1. Ceiling mount assembly

This part will hold all the fruit cable. Make sure to fasten carefully this part to your ceiling (screw not provided).

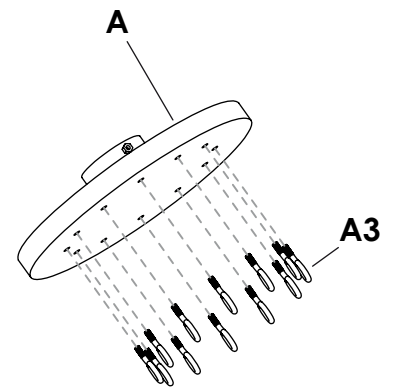
① ⚠



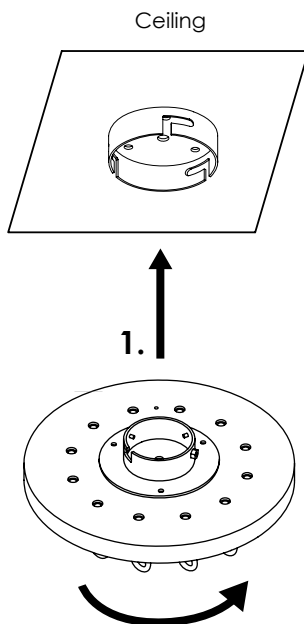
②



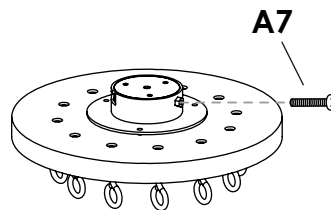
③



④

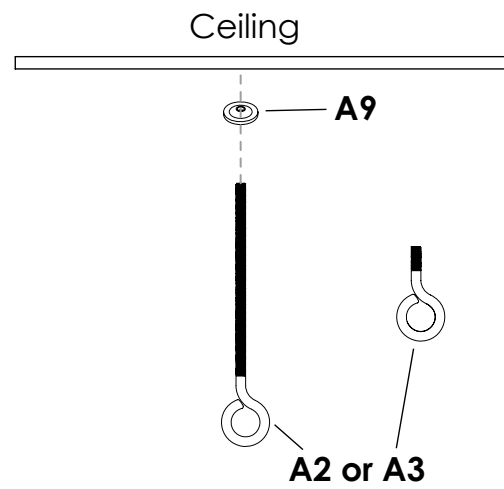


⑤ ⚠



2. Fruit hook assembly

Make sure the hook are well fastened to your ceiling. Use the necessary part to secure the assembly to your ceiling



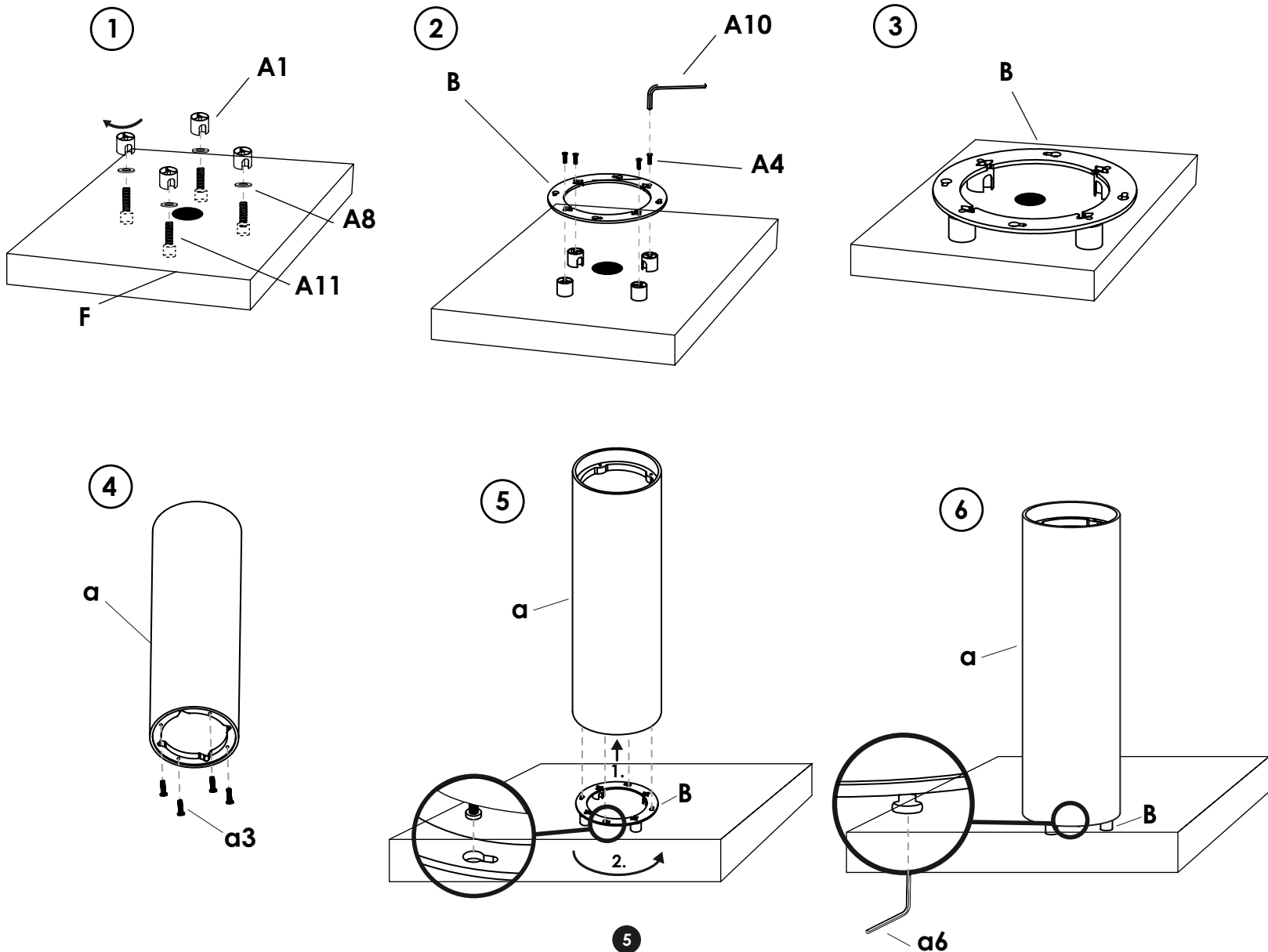
3. Amplifier, subwoofer and power cable into trunk

You need to put three different cable from the trunk bottom to the upper side :

- Power cable for subwoofer
- Speaker cable from the amplifier
- Subwoofer cable from the amplifier

4. Trunk base assembly

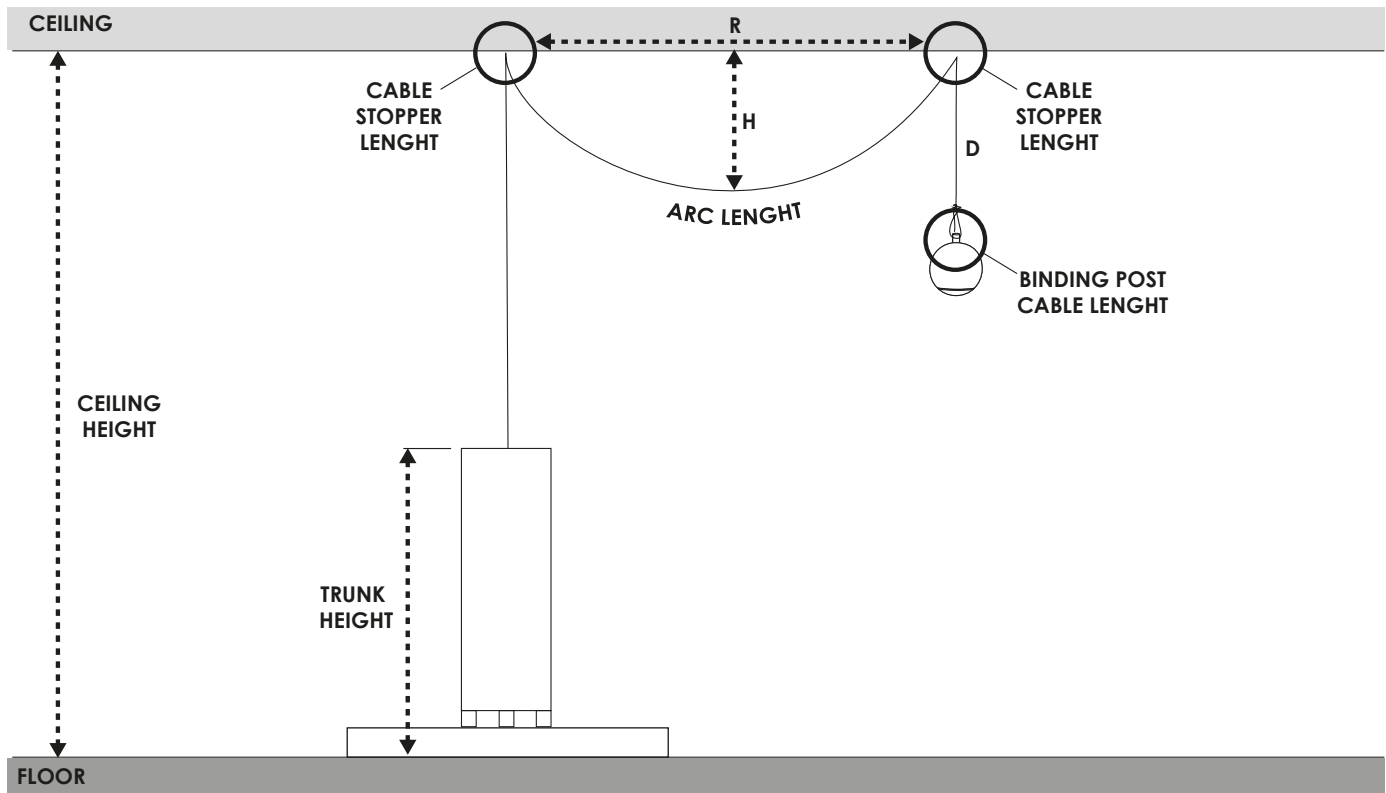
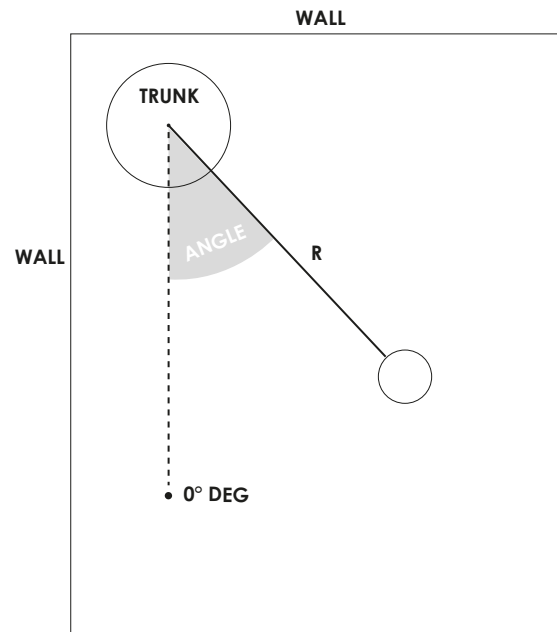
The trunk can be fastened to the floor or not. For security, we encourage you to screw the trunk to your floor.



5. Fruit cable cutting

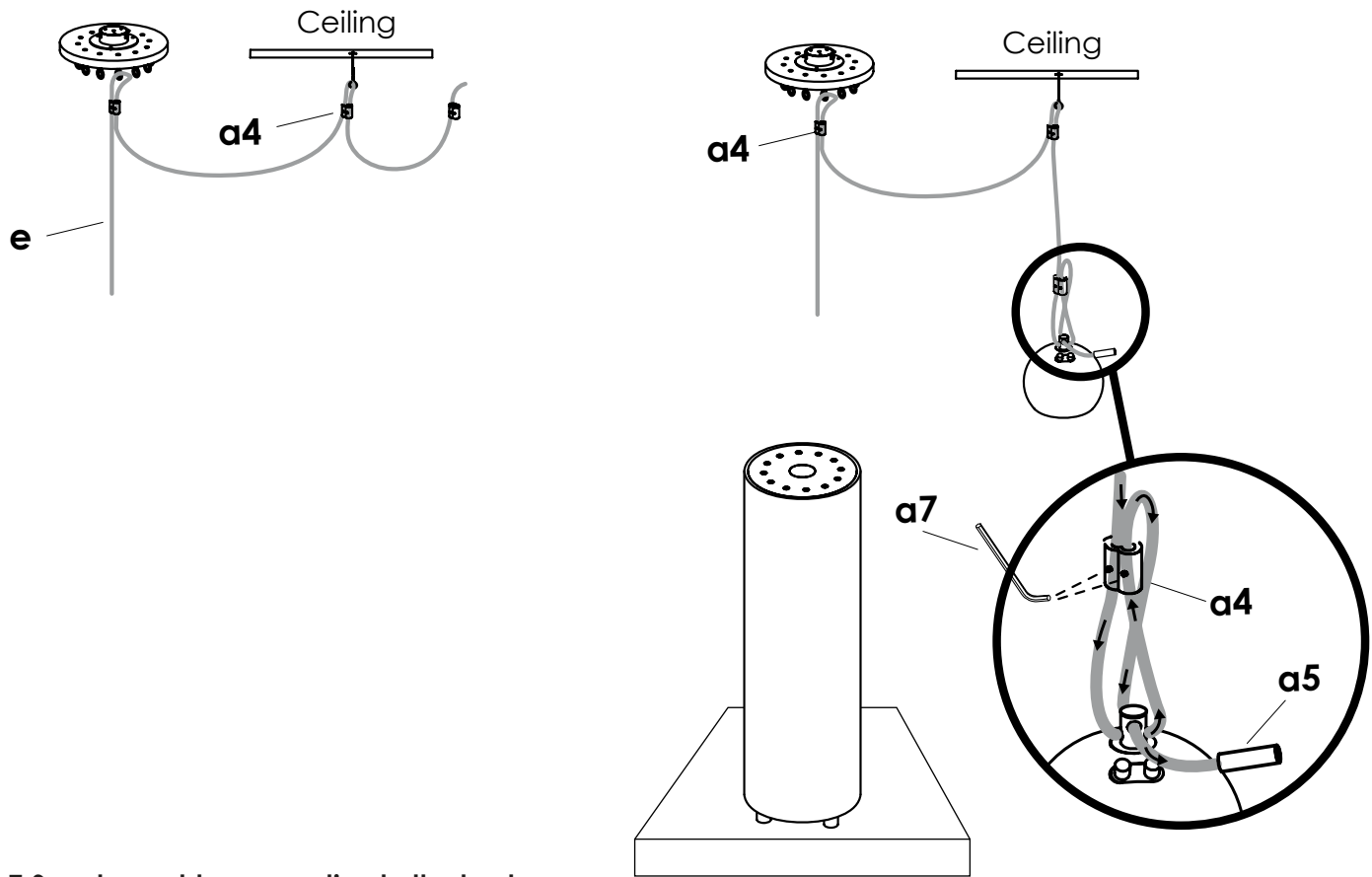
You are free to position the fruit anywhere you like. Please remind that you have a total of 200 m of fruit cable for your Sound tree. The goal is to have a nice fruit display from your main point of view in your home. We are giving you an example of fruit positioning. Please contact us at soundtree@elipson.com if you need to get this cable length calculator.

Sound Tree Cable length calculator						
Ceiling height	4	m				
Trunk height	1,037	m				
Cable stopper lenght	0,1	m				
Cable lenght inside trunk	0,25	m				
Binding post cable lenght	0,4	m				
Fruit N°	ANGLE	R	H	D	Arc lenght	Cable lenght total (m)
1	-10,00	3,00	1,90	2,00	4,84	10,7
2	0,00	2,00	0,70	0,80	2,44	7,1
3	10,00	3,50	1,40	1,50	4,48	9,8
4	20,00	2,50	0,90	1,00	3,08	7,9
5	30,00	1,00	1,90	2,00	3,93	9,7
6	40,00	3,50	1,40	1,50	4,48	9,8
7	50,00	2,10	1,70	1,80	4,00	9,6
8	60,00	3,50	0,70	0,80	3,77	8,4
9	70,00	2,50	1,00	1,10	3,20	8,1
10	80,00	1,50	0,90	1,00	2,34	7,2
11	90,00	3,20	1,70	1,80	4,67	10,3
12	100,00	2,00	1,40	1,50	3,44	8,8
						107,2



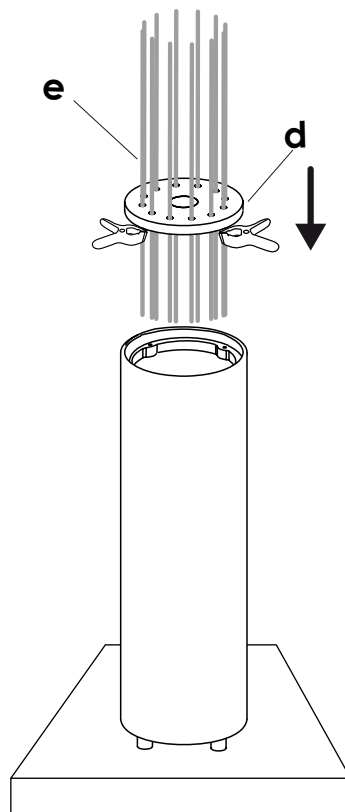
6. Fruit connection to cable, fruit on hook

Connect all speaker cable to the fruit. Secure the cable end with tape or heat-shrink of the same color as speaker cable. Position 3 cable stopper on each speaker cable.



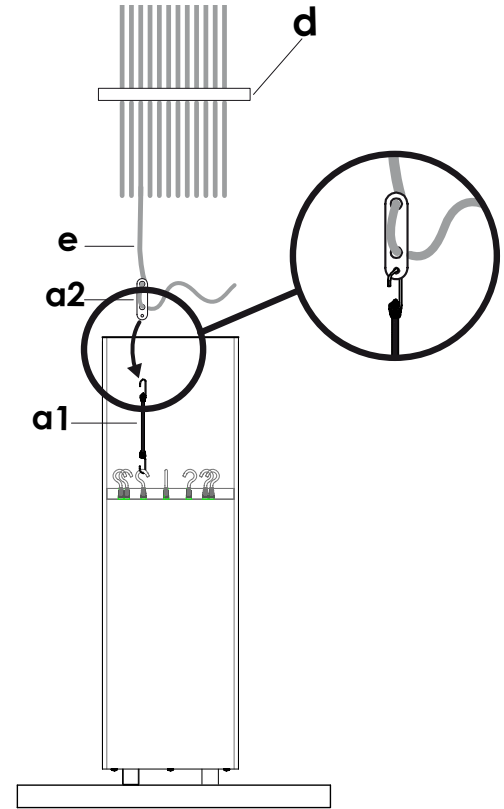
7. Speaker cable connection to the trunk

The 12 speaker cable need to be inserted inside the trunk cover. Once they are all inserted, you should stabilize the trunk cover 50 cm higher than the trunk with a few clamp.



8. Speaker cable connection to spring and trunk amplifier

The speaker cable are fastened to spring so the cable always stays straight. The 12 speaker cable need to be connected to the Trunk electronics



9. Subwoofer, amplifier and power cable connection to trunk electronics

Plug all those cable to the trunk amplifierbox .

10. Trunk cover

- Once all connection is made, please put down the trunk cover (be gentle not to scratch the paint)
- Screw the trunk cover
- Position the Elipson logo

Multi-speaker sound system, technical specifications

Trunk

Built in 8" driver sub-woofer for low frequencies
Extruded body with MDF internal structure, high gloss red lacquer finish
Dimensions: 32 x 32 x 100 cm
Weight: 25 kg

Fruits (12 pieces)

Spherical speakers for medium and high frequencies
4" coaxial driver with 3/4" tweeter, 30W power handling
Fiber glass reinforced resin cabinet, high gloss red lacquer finish
Mesh grill and metal ring
Dimensions: 15 x 15 x 15 cm
Unit weight: 2.5 kg

Overall tree structure dimensions: 500 x 500 x 500 cm
Total weight: 70 kg

Warranty and Service

Elipson loudspeakers have been designed and manufactured to the highest quality standards. If something goes wrong with your product, Elipson or its authorized distributor / dealer will handle the service and repair under these limited warranty terms.
This limited warranty is valid for a 2-year period from original purchase date from an authorized Elipson dealer.

TERMS OF LIMITED WARRANTY

The warranty is limited to equipment repair. Neither transportation, nor any other costs, nor any risk for removal, transportation and installation of products is covered by this warranty.
The warranty is only valid for the original purchaser and is not transferable.
The warranty will not apply in cases other than defects in materials and / or workmanship at the date of purchase and will not be applicable in the following cases:
- Damages caused by wrong or incorrect installation or connection.

- Damages caused by incorrect use, other use than the one described in the owner's manual, negligence, unauthorized modification or use of parts or of accessories that are not authorized by Elipson.
- Damages caused by unauthorized, unsuitable or faulty ancillary equipment.
- Damages caused by accidents, lightning, water, fire, heat or any other disturbance that would not be under Elipson control or responsibility.
- For products, which serial number has been altered, deleted, removed or made illegible.
- In case of repair and service executed by an unauthorized service person.

This warranty complements any national/federal/regional law obligations of local distributors/dealers and does not affect your statutory rights as a customer.

TO CLAIM REPAIR UNDER WARRANTY

To claim repair or service under warranty you simply have to contact your local Elipson dealer, from whom your equipment has been purchased.
To ensure that you will be able to ship your damaged product in correct manner, always retain the original packaging of your Elipson equipment.

If you cannot contact your original dealer, or if you are using your Elipson product outside the purchase country, you should contact Elipson national distributor in the residence country, who will advise where the equipment can be serviced.
You can also visit our web site to check our contact information:
www.elipson.com

To validate your warranty, you need to produce, as a proof of purchase, your original purchase invoice specifying the date of purchase and stamped by your dealer.

Elipson® is an international trademark of **AV | INDUSTRY**
www.elipson.com